


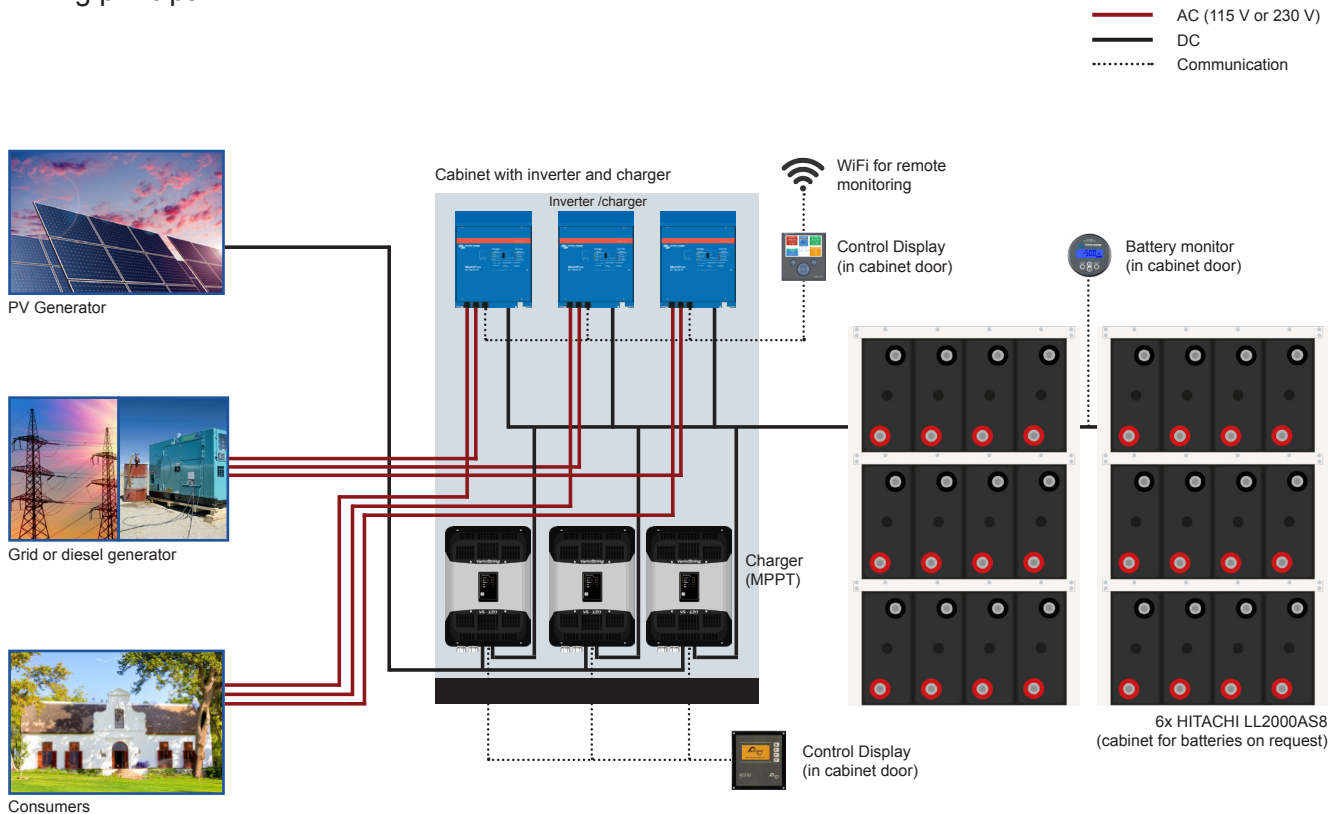
# Datasheet - Enerstore Hybrid 50

 50 kWh usable

 15 kVA

 3 phase, 400 / 230 VAC  
3 phase, 230 / 115 VAC

## Wiring principal



Technical data	Enerstore Hybrid 50	
Output voltage	400 V / 230 V; 3 phase	230 / 115 V; 3 phase
Output power	15 kVA (nom. @ 25°C); 30 kVA (max. @ 25°C)	
Daily energy	75 - 100 kWh (in average, depending on sun irradiation)	
Connectable PV power	30 - 40 kWp	
Number of MPP Tracker	3 MPP Tracker (360 A max. current, 600 VDC max. voltage)	
PV panel configuration	20 (60 cells) in series, 6 - 8 strings parallel (120 - 160 panels in total)	
Battery modules	6x HITACHI LL2000AS8	
Battery voltage	48 VDC	
Net discharge capacity	5 kW @ 10 h = 50 kWh / 7,5 kW @ 6 h = 45 kWh / 10 kW @ 4 h = 40 kWh	
Lifetime	5.250 cycles or 17 years	
Dimensions (H x B x L) [mm]	1.800 x 1.200 x 400 (Cabinet), 1.420 x 800 x 506 (battery bank)	
Weight	approx. 450 kg (Cabinet), approx. 2.910 kg (battery bank)	
Equipment	Control display, Battery monitor, WiFi module for remote monitoring, Battery fuses with DC separator, PV fuses	