



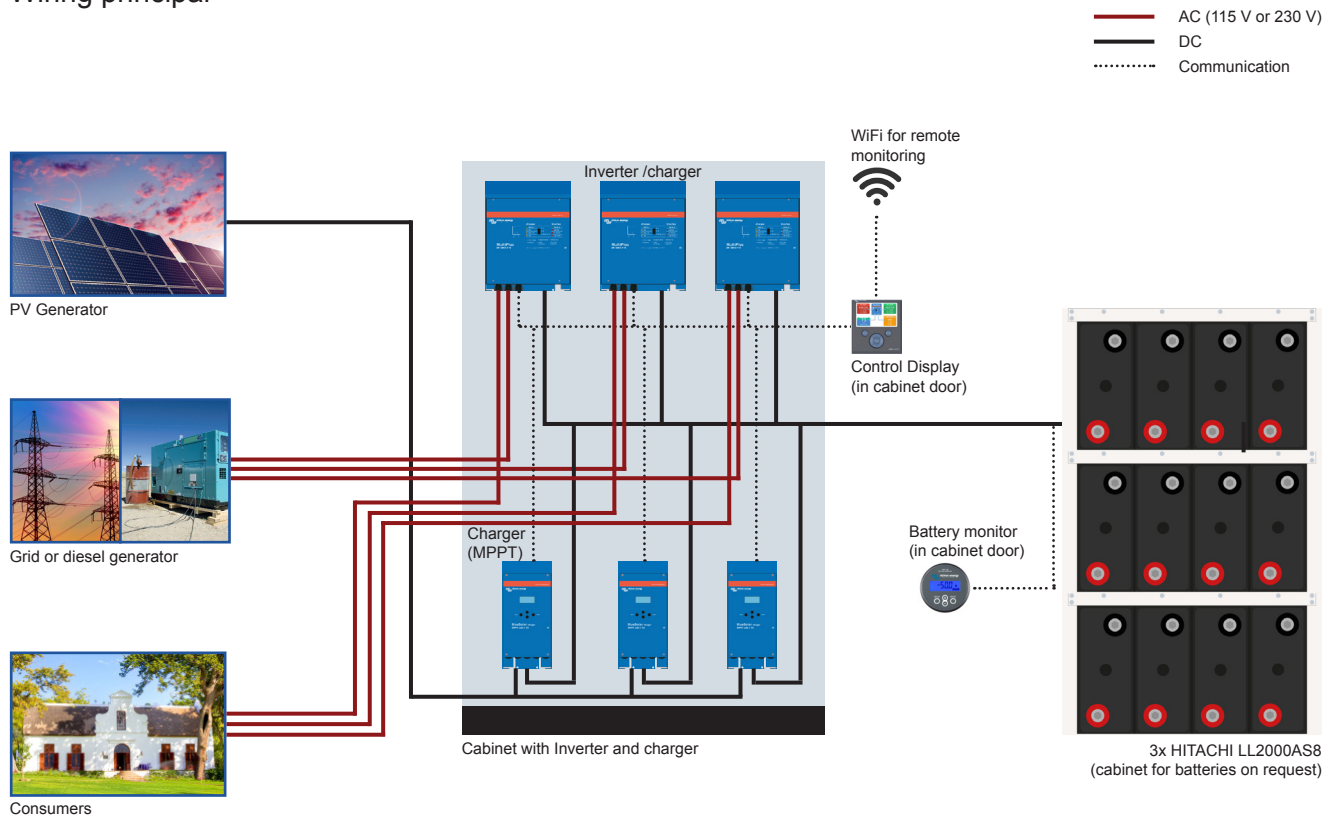
Datasheet - Enerstore Hybrid 25-3

 25 kWh usable

 9 kVA

 3 phase, 400 / 230 VAC
3 phase, 230 / 115 VAC

Wiring principal



Technical data	Enerstore Hybrid 25-3	
Output voltage	400 V / 230 V; 3 phase	230 / 115 V; 3 phase
Output power	9 kVA (nom. @ 25°C); 18 kVA (max. @ 25°C)	
Daily energy	40 - 60 kWh (in average, depending on sun irradiation)	
Connectable PV power	12 - 18 kWp	
Number of MPP Tracker	3 MPP Tracker (300 A max. current, 150 VDC max. voltage)	
PV panel configuration	3 (60 cells) in series, 16 - 24 strings parallel (48 - 72 panels in total)	
Battery modules	3x HITACHI LL2000AS8	
Battery voltage	24 VDC	
Net discharge capacity	2,5 kW @ 10 h = 25 kWh / 3,2 kW @ 6 h = 22 kWh / 5 kW @ 4 h = 20 kWh	
Lifetime	5.250 cycles or 17 years	
Dimensions (H x B x L) [mm]	1.800 x 1.200 x 400 (Cabinet), 1.420 x 800 x 506 (battery bank)	
Weight	approx. 400 kg (Cabinet), approx. 1.455 kg (battery bank)	
Equipment	Control display, Battery monitor, WiFi module for remote monitoring, Battery fuses with DC separator, PV fuses	