

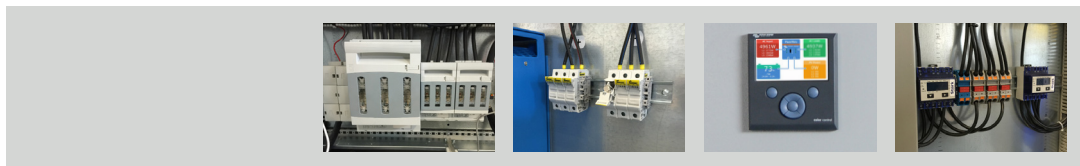
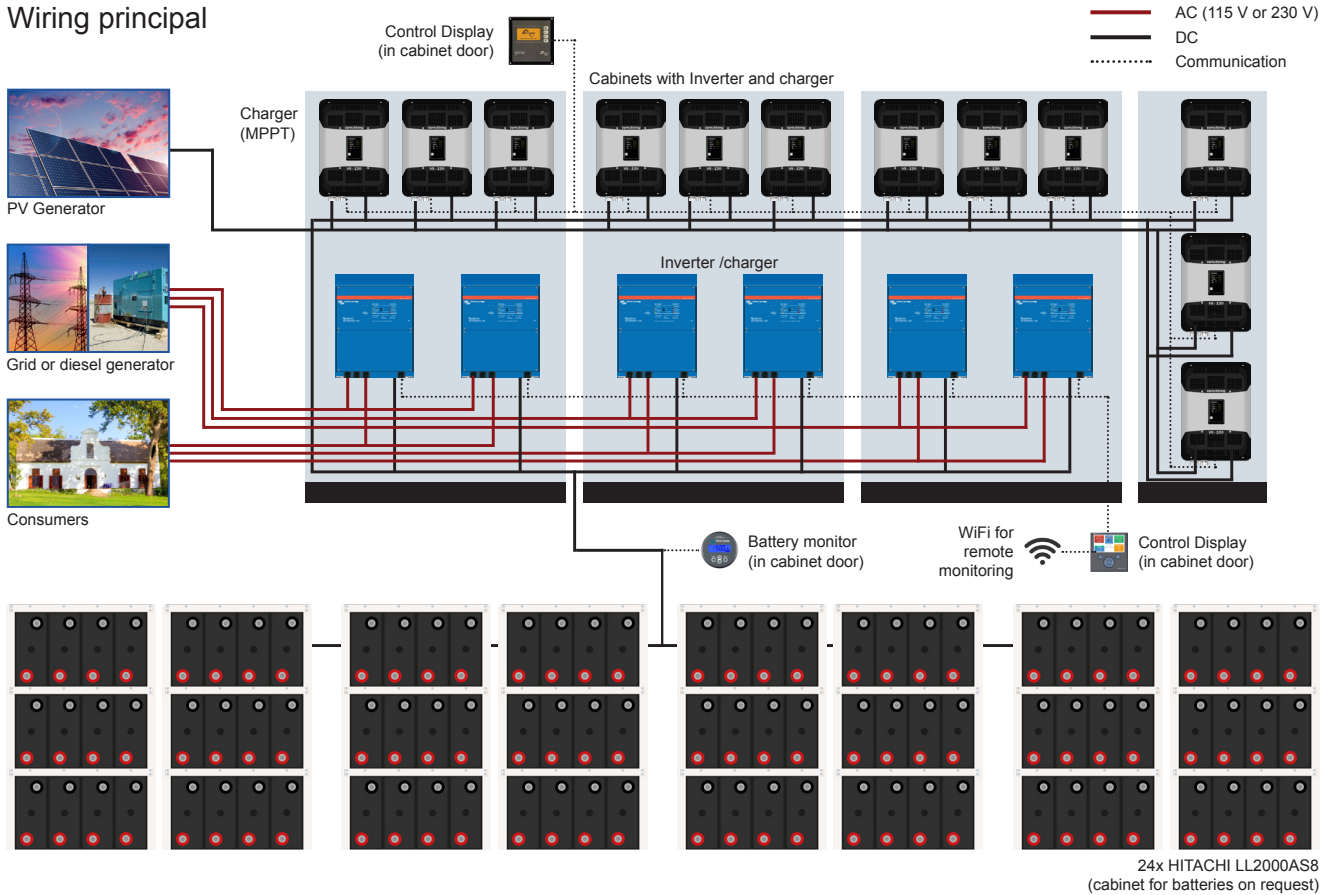
Datasheet - Enerstore Hybrid 200

200 kWh usable

60 kVA

3 phase, 400 / 230 VAC
3 phase, 230 / 115 VAC*

Wiring principal



Technical data		Enerstore Hybrid 200	
Output voltage	400 V / 230 V; 3 phase	230 / 115 V; 3 phase*	
Output power	60 kVA (nom. @ 25°C); 120 kVA (max. @ 25°C)		
Daily energy	300 - 475 kWh (in average, depending on sun irradiation)		
Connectable PV power	120 - 190 kWp		
Number of MPP Tracker	12 MPP Tracker (360 A max. current, 600 VDC max. voltage)		
PV panel configuration	20 (60 cells) in series, 24 - 32 strings parallel (480 - 640 panels in total)		
Battery modules	24x HITACHI LL2000AS8		
Battery voltage	48 VDC		
Net discharge capacity	20 kW @ 10 h = 200 kWh / 30 kW @ 6 h = 180 kWh / 40 kW @ 4 h = 160 kWh		
Lifetime	5.250 cycles or 17 years		
Dimensions (H x B x L) [mm]	3x 1.800 x 1.200 x 400, 1x 1.800 x 600 x 400 (Cabinets), 1.420 x 6.400 x 506 (battery bank)		
Weight	approx. 350 kg (per Cabinet), approx. 11.640 kg (battery bank)		
Equipment	Control display, Battery monitor, WiFi module for remote monitoring, Battery fuses with DC separator, PV fuses		

*3 phase, 230 / 127 VAC system on request. Please contact us