

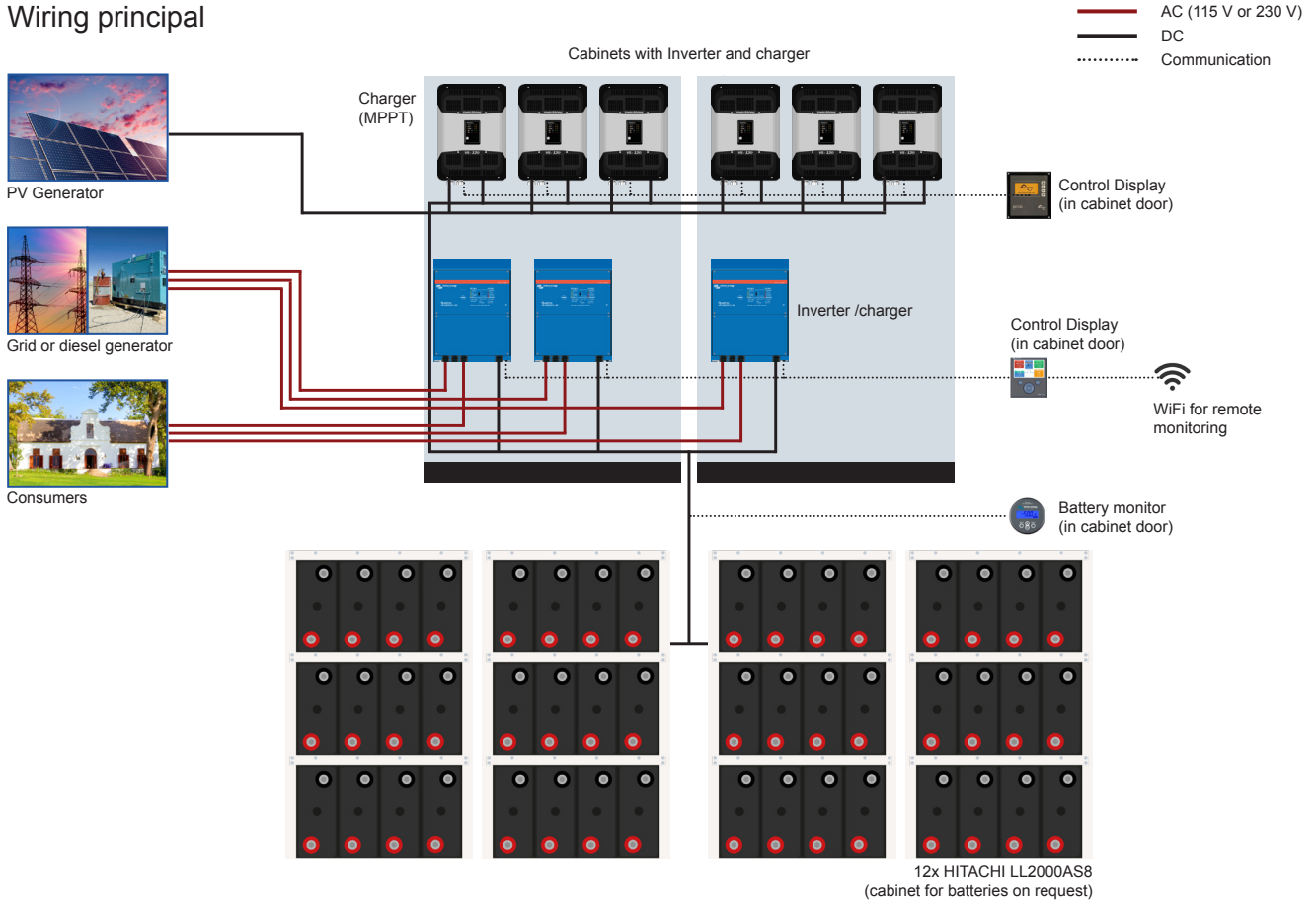
Datasheet - Enerstore Hybrid 100

100 kWh usable

30 kVA

3 phase, 400 / 230 VAC
3 phase, 230 / 115 VAC*

Wiring principal



Technical data	Enerstore Hybrid 100	
Output voltage	400 V / 230 V; 3 phase	230 / 115 V; 3 phase*
Output power	30 kVA (nom. @ 25°C); 60 kVA (max. @ 25°C)	
Daily energy	150 - 200 kWh (in average, depending on sun irradiation)	
Connectable PV power	60 - 80 kWp	
Number of MPP Tracker	6 MPP Tracker (360 A max. current, 600 VDC max. voltage)	
PV panel configuration	20 (60 cells) in series, 12 - 16 strings parallel (240 - 320 panels in total)	
Battery modules	12x HITACHI LL2000AS8	
Battery voltage	48 VDC	
Net discharge capacity	10 kW @ 10 h = 100 kWh / 15 kW @ 6 h = 90 kWh / 20 kW @ 4 h = 80 kWh	
Lifetime	5.250 cycles or 17 years	
Dimensions (H x B x L) [mm]	2x 1.800 x 1.200 x 400 (Cabinets), 1.420 x 1.600 x 506 (battery bank)	
Weight	approx. 350 kg (per Cabinet), approx. 5.820 kg (battery bank)	
Equipment	Control display, Battery monitor, WiFi module for remote monitoring, Battery fuses with DC separator, PV fuses	

*3 phase, 230 / 127 VAC system on request. Please contact us